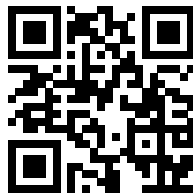




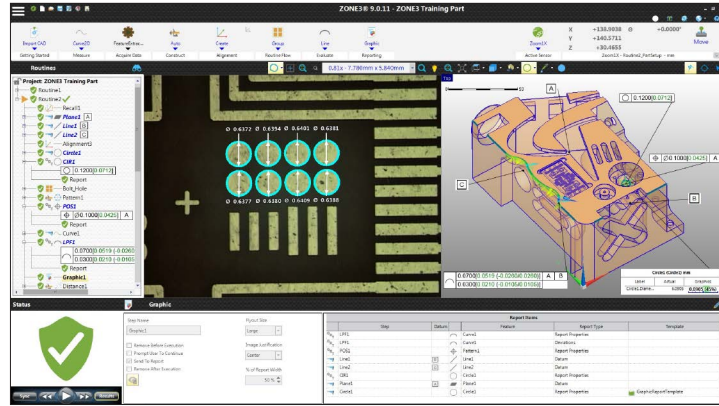
SmartScope Flash 500 – Offers all the great Flash features and performance in a large travel fixed bridge design. Parts move on a precision DC motor-driven Y-axis stage while the optics assembly travels in the X-axis across a stable bridge cross member. Optics mounted on a rigid bridge support structure for metrological integrity. Flash 500 provides:

- **Precision Optics** – High quality AccuCentric® zoom lens automatically compensates magnification for each zoom position.
- **Flexible Illumination** – Standard profile light, coaxial surface light, and SmartRing™ light illuminate parts from all angles.
- **Multisensor Versatility** – Optional touch probe, scanning probe, laser, micro-probe sensors, and rotary indexers.

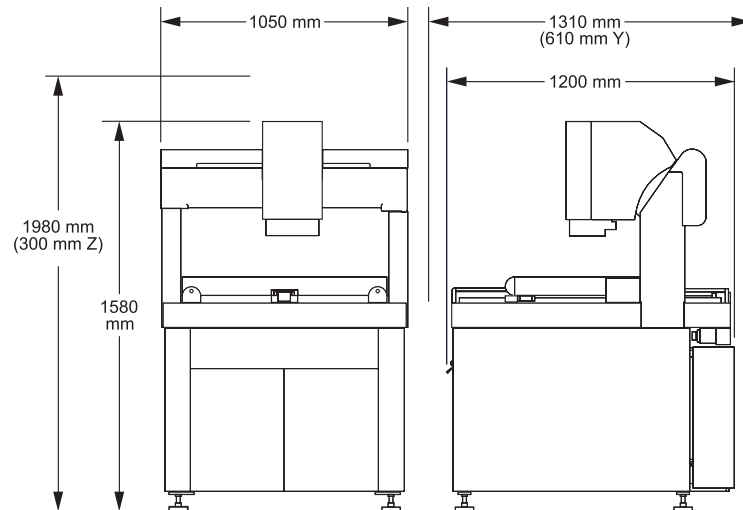
Large Capacity 3D Multisensor Dimensional Measuring System



SmartScope® Flash™ 500



ZONE3® Metrology Software represents a totally new way of working with multisensor measurement systems, providing faster, easier, and more productive measurements.



System Weight: 960 kg
Shipping Weight: 1020 kg

	Standard	Optional
XYZ Travel	500 x 450 x 200 mm	Extended Y axis, 610 mm; extended Z axis, 300
XYZ Scale Resolution	0.1 µm	
Drive System	DC servo with 4-axis control (X, Y, Z zoom); with multifunction handheld controller	
Worktable	Nickel plated steel, with fixture holes, removable stage glass, 65 kg recommended max payload	
Rotary Axis		Miniature Servo Rotary (MSR™), MicroTheta Rotary (MTR™), Heavy Duty Rotary (HDR™), High Precision Rotary (HPR), Dual Rotary (requires optional 300 mm Z axis)
Optics*	AccuCentric® auto-compensating zoom, motorized; 1.0x lens	Focus Grid Projector: LED Source Laser Adapter: Allows for field retrofit of TTL Laser. Includes Laser Pointer Replacement Lenses: 2.5x, 5.0x Laser Lenses: 2.0x (Included with TTL Laser), 5.0x Lens Attachments for 1.0x Lens: 0.5x, 0.75x, 1.5x, 2.0x
Illumination	Substage LED profile, coaxial LED surface, SmartRing LED ring light (white)	Red, Green, or Blue SmartRing; Flexible SmartRing for 0.5x lens attachment
Metrology Camera	Color metrology camera	Monochrome metrology camera
Field of View**	8.0 mm x 6.0 mm (low zoom) to 0.90 mm x 0.68 mm (high zoom)	14.6 mm x 10.9 mm (1.0x lens, 0.5x attachment) to 0.19mm x 0.14 mm (5.0x lens)
Working Distance	64 mm	Up to 97 mm (1.0x lens, 0.5x attachment)
Sensor Options***		Tactile: TP20 or TP200 Touch Probe, SP25 Scanning Probe, Feather Probe™ Non-Contact: Through-the-Lens (TTL) Laser, DRS™ Laser, Rainbow Probe™
Software	• ZONE3 Express or Measure-X metrology software • QVI® Portal	Metrology software: ZONE3 Prime, ZONE3 Pro Productivity software: MeasureFit® Plus, SmartFit® 3D, OGP® EVOLVE® Suite (Design, EVOLVE SPC, Manufacturing, SmartProfile®) Offline software: ZONE3, Measure-X
System Controller	Windows® based, with up-to-date processor and onboard networking/communication ports	
Controller Options	Ergonomic sit/stand operator workstation	24" flat panel, or dual 24" flat panel LCD monitors; keyboard, 3-button mouse (or user supplied)
Power Requirements	100-120 VAC or 200-240 VAC, 50/60 Hz, 1 phase, 700 W	
Safe Operating Environment	15-30 °C, non-condensing	
Rated Environment	Temperature 18-22 °C, stable to ± 1 °C, max rate of change 1 °C / hour, max vertical gradient of 1 °C / meter; 30-80% humidity; vibration <0.001g below 15 Hz	
XY Area Accuracy	$E_2 = (2.5 + 5L/1000) \mu\text{m}$	
Z Linear Accuracy	$E_1 = (3.0 + 8L/1000) \mu\text{m}$	$E_1 = (2.0 + 8L/1000) \mu\text{m}$ (requires optional TTL Laser, DRS Laser, or Touch Probe)

Accuracy is evaluated with a QVI verification procedure where "L" is measured length in millimeters. Specifications apply within the rated environment. Standard optical specifications apply at the maximum optical magnification of the standard configuration. XY Accuracy applies with an evenly distributed load up to 10 kg in the standard measuring plane. The standard measuring plane is defined as a plane that is within 25 mm of the worktable surface. Depending on load distribution, accuracy at maximum payload may be less than standard.

*Lenses and lens attachments can be manually interchanged to change magnification and working distance. **FOV sizes with optional monochrome camera are 15% smaller in Measure-X. ***SP25, Feather Probe, and Rainbow Probe only



World Headquarters: Rochester, NY, USA • 585.544.0400 • www.ogpnet.com

OGP Shanghai Co, Ltd: Shanghai, China
86.21.5045.8383/8989 • www.smartscope.com.cn

OGP Messtechnik GmbH: Hofheim-Wallau, Germany
49.6122.9968.0 • www.ogpmesstechnik.de

Optical Gaging (S) Pte Ltd: Singapore • 65.6741.8880 • www.smartscope.com.sg