



SmartScope® Quest 450

- **Accurate video metrology** – TeleStar® telecentric 10:1 zoom optics for the highest level of optical performance
- **Multisensor versatility** – Optional touch probe, off-axis DRS™ laser, on-axis TeleStar TTL interferometric laser, micro-probes, SP25 continuous contact scanning probe, and 4th and 5th axis rotary indexers
- **State-of-the-art software** – Powerful ZONE3® metrology software, and other productivity and offline software applications, to suit your requirements

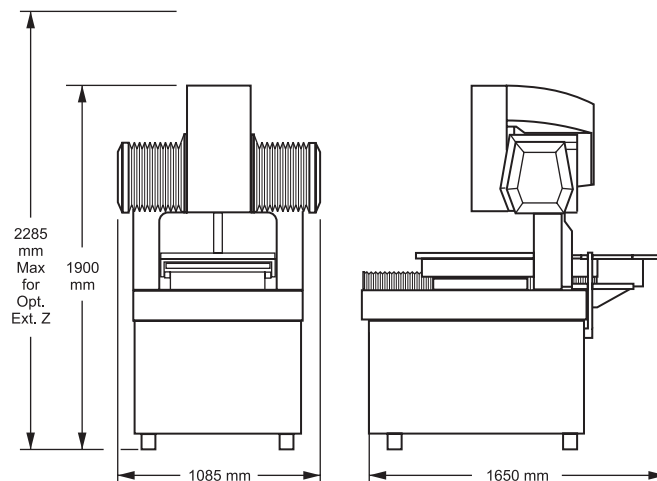
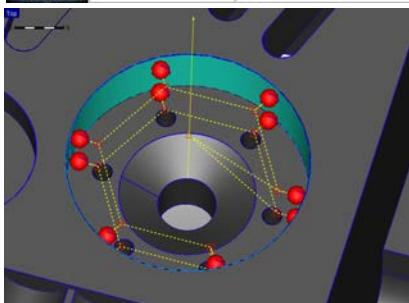
Advanced-Technology Dimensional Measuring System for Large Parts

Axis	Travel (mm)
X axis	450
Y axis	450
Z axis	250
Extended Y (opt)	610
Extended Z (opt)	300
Extended Z (opt)	400



Shown with optional touch probe

SmartScope® Quest 450



System Weight: 1380 kg
Shipping Weight: 1650 kg

	Standard	Optional
XYZ Travel	450 mm x 450 mm x 250 mm	Extended Y axis, 610 mm; extended Z axis, 300 mm or 400 mm
XYZ Scale Resolution	0.1 µm	0.05 µm
Drive System	DC servo with 4-axis control (X,Y,Z, zoom); with multifunction handheld controller	XY liquid cooled linear motor drives
Worktable	Hardcoat anodized, with fixture holes, removable stage glass, 75 kg recommended max payload	
Rotary Axis		Miniature Servo Rotary (MSR), MicroTheta Rotary (MTR), Heavy Duty Rotary (HDR), High Precision Rotary (HPR), Dual Rotary (requires optional 300 mm or 400 mm Z axis)
Optics*	10:1 AccuCentric® TeleStar® auto-compensating, telecentric zoom, motorized; mag range 0.8x-8x, with up to 10 calibrated positions; 1.0x replacement lens	Focus Grid Projector: LED source Laser Pointer: Not available with optional TTL laser Replacement Lenses: 0.45x, 0.5x, 2.0x, 4.0x Laser Lenses: 0.45x, 0.5x, 2.0x, 4.0x
FOV Range (in ZONE3)**	8.1 mm x 6.1 mm (low zoom) to 0.81 mm x 0.61 mm (high zoom)	14.6 mm x 11.0 mm (0.45x lens), to 0.20 mm x 0.15 mm (4.0x lens)
Working Distance	65 mm	Up to 200 mm (0.45x lens)
Illumination	LED numerical aperture matching substage monochromatic profile, LED coaxial TTL surface, 8 sector / 6 ring SmartRing™ LED	
Camera	High resolution, black & white digital metrology camera	
Image Processing	256 level grayscale processing with 10:1 subpixel resolution	
Sensor Options***		Tactile: TP20 or TP200 Touch Probe, SP25 Scanning Probe, Feather Probe™ Non-Contact: Patented† on-axis TeleStar Plus Interferometric TTL laser, DRS Laser, Rainbow Probe™
Controller	Windows® based, with up-to-date processor and on board networking/communication ports	
Controller Accessory Package	24" flat panel LCD monitor, keyboard, 3-button mouse	24" flat panel LCD monitor for dual monitor display
Software	<ul style="list-style-type: none"> Choice of ZONE3 Express or MeasureMind 3D metrology software QVI Portal 	Metrology software: ZONE3 Prime, ZONE3 Pro Productivity software: MeasureFit® Plus, SmartFit® 3D, SmartProfile®, EVOLVE SPC Offline software: ZONE3, MeasureMind 3D
Power Requirements	100-120 VAC or 200-240 VAC, 50/60 Hz, 1 phase, 1200 W	
Operating Environment, Safe Operation	15-30 °C	
Rated Environment	Temperature 18-22 °C, stable to ±1 °C; max rate of change 1 °C / hour; max vertical gradient of 1 °C / meter; 30-80% humidity; vibration <0.001g below 15 Hz	
XYZ Volumetric Accuracy	$E_3 = (2.5 + 5L/1000) \mu\text{m}$	
XY Area Accuracy	$E_2 = (1.5 + 4L/1000) \mu\text{m}$	
Z Linear Accuracy	$E_1 = (2.5 + 5L/1000) \mu\text{m}$	$E_1 = (1.5 + 5L/1000) \mu\text{m}$ (requires optional TeleStar Plus TTL laser, DRS laser, or touch probe)

†Patent 7,791,731

Accuracy is evaluated with a QVI verification procedure where "L" is measured length in millimeters. Specifications apply within the rated environment. Standard optical specifications apply at the maximum optical magnification of the standard configuration. XY Accuracy applies with an evenly distributed load up to 10 kg in the standard measuring plane. The standard measuring plane is defined as a plane that is within 25 mm of the worktable surface. Depending on load distribution, accuracy at maximum payload may be less than standard. On-site verification of volumetric accuracy is optional.

*Lenses and lens attachments can be manually interchanged to change magnification and working distance. **FOV sizes are 20% smaller in MeasureMind 3D. ***SP25 only supported in ZONE3.



Confidence. When Results Matter.™

Optical Gaging Products, a division of Quality Vision International
850 Hudson Avenue • Rochester, NY 14621 • USA
Phone: (585) 544-0400 • (800) 647-4243 • Fax: (585) 544-8092
info@ogpnet.com
www.ogpnet.com