

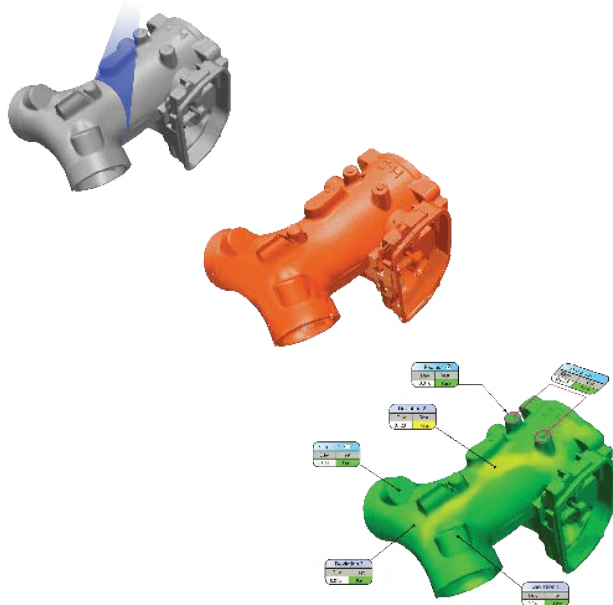
**ShapeGrabber Ai810**

- Complete, fast turnkey measurement and inspection solution
- Precision, non-contact laser scanning
- Automated surface inspection in minutes
- Full 3D quality control including GD&T reports
- Go / No-Go capability
- Scans parts in a wide variety of materials, colors, and finishes
- Quickly creates digital inspection reports
- Multiple scanhead configurations to accommodate a range of part sizes
- Ideal for castings, plastics and 3D printed parts or parts with complex shapes
- Available with optional horizontal scan axis with second scanhead

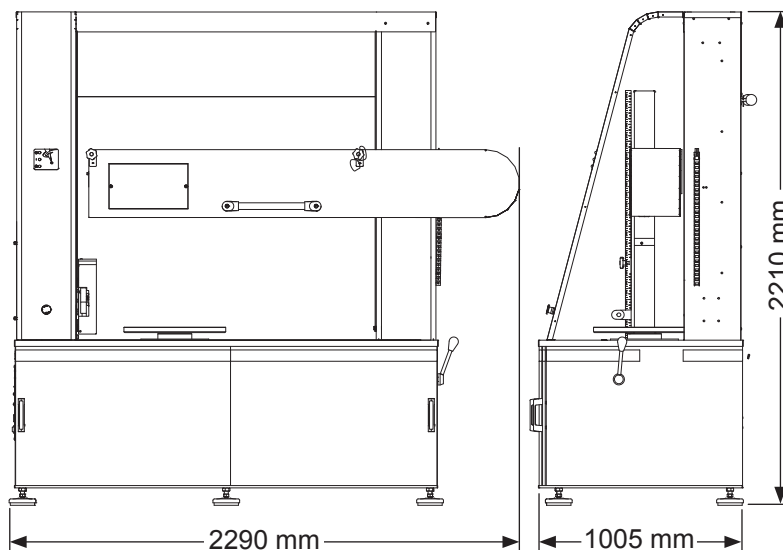
## Large Format Automated 3D Laser Scanner



# ShapeGrabber Ai810



A leader in measurements for parts with complex shapes



Machine Weight: 725 kg  
Crated Weight: 1000 kg

Specifications																	
<b>Weight</b>	725 kg																
<b>Vertical motion</b>	800 mm																
<b>Horizontal rail motion</b>	1250 mm (optional)																
<b>Rotary table motion</b>	360°																
<b>Scan Volume</b>	<table border="1"> <thead> <tr> <th>Scanhead</th> <th>Accuracy</th> <th>Standard Vertical Axis Scan Volume (Automated mode) Cylinder Height x Diameter</th> <th>Optional Horizontal Axis Scan Volume (Single-scan mode) Length x Width x Depth</th> </tr> </thead> <tbody> <tr> <td>SG356 (standard on vertical axis)</td> <td>50 + L/20 μm</td> <td>800 x 400 mm</td> <td>1250 x 345 x 400 mm (optional)</td> </tr> <tr> <td>SG46 (optional)</td> <td>15 + L/25 μm</td> <td>800 x 50 mm</td> <td>1250 x 40 x 50 mm</td> </tr> <tr> <td>SG156 (optional)</td> <td>30 + L/25 μm</td> <td>800 x 190 mm</td> <td>1250 x 175 x 190 mm</td> </tr> </tbody> </table>	Scanhead	Accuracy	Standard Vertical Axis Scan Volume (Automated mode) Cylinder Height x Diameter	Optional Horizontal Axis Scan Volume (Single-scan mode) Length x Width x Depth	SG356 (standard on vertical axis)	50 + L/20 μm	800 x 400 mm	1250 x 345 x 400 mm (optional)	SG46 (optional)	15 + L/25 μm	800 x 50 mm	1250 x 40 x 50 mm	SG156 (optional)	30 + L/25 μm	800 x 190 mm	1250 x 175 x 190 mm
	Scanhead	Accuracy	Standard Vertical Axis Scan Volume (Automated mode) Cylinder Height x Diameter	Optional Horizontal Axis Scan Volume (Single-scan mode) Length x Width x Depth													
	SG356 (standard on vertical axis)	50 + L/20 μm	800 x 400 mm	1250 x 345 x 400 mm (optional)													
	SG46 (optional)	15 + L/25 μm	800 x 50 mm	1250 x 40 x 50 mm													
SG156 (optional)	30 + L/25 μm	800 x 190 mm	1250 x 175 x 190 mm														
<b>Laser</b>	CDRH Class II / IEC Class 2M																
<b>Points per second scanned</b>	40,000 - 350,000+																
<b>Software</b>	ShapeGrabber SGCentral (standard) • SGCapture (optional) • PolyWorks (optional) • Geomagic (optional)																
<b>Power requirements</b>	100-120 VAC or 200-240 VAC, 50/60 Hz, 1 phase, 1000 W																
<b>Rated environment</b>	Temperature 19 - 21 °C, 30 - 80% humidity; vibration <0.001g below 15 Hz																
<b>Operating environment, safe operation</b>	15 - 30 °C																



Confidence. When Results Matter.™

Optical Gaging Products, a division of Quality Vision International  
850 Hudson Avenue • Rochester, NY 14621 • USA  
Phone: (585) 544-0400 • (800) 647-4243 • Fax: (585) 544-8092  
info@ogpnet.com  
www.ogpnet.com