



SmartScope® Vantage 300

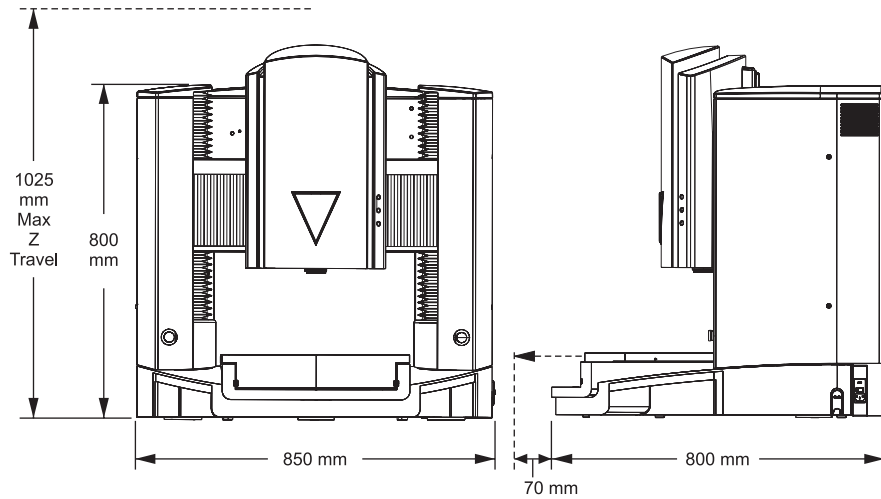
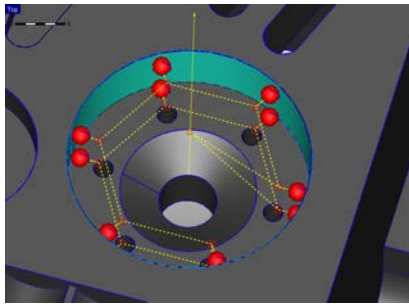
- **Accurate video metrology** – TeleStar® telecentric 10:1 zoom optics for the highest level of optical performance
- **Multisensor versatility** – Optional touch probe, on-axis TeleStar TTL interferometric laser, micro-probes, and SP25 continuous contact scanning probe
- **State-of-the-art software** – Powerful ZONE3® metrology software, and other productivity and offline software applications, to suit your requirements

Axis	Travel (mm)
X axis	300
Y axis	300
Z axis	250

High Performance Large Volume Dimensional Measuring System that Fits on a Workbench



SmartScope® Vantage 300



System Weight: 160 kg
Shipping Weight: 220 kg

	Standard	Optional
XYZ Travel	300 x 300 x 250 mm	
XYZ Scale Resolution	0.1 µm	0.05 µm
Drive System	DC servo with 4-axis control (X,Y,Z,zoom); air bearing Z axis; with multifunction handheld controller	
Worktable	Hardcoat anodized, with fixture holes, removable stage glass, 30 kg recommended max payload	
Rotary Axis		Miniature Servo Rotary (MSR), MicroTheta Rotary (MTR)
Optics*	TeleStar® 10:1 telecentric zoom lens system with AccuCentric® auto-compensation; Magnification range 0.8x-8x with 10 calibrated positions; 1.0x front lens	Focus Grid Projector: LED source Laser Pointer: Included with optional TTL laser Replacement Lenses: 0.5x, 2.0x, 4.0x Laser Lenses: 0.5x, 2.0x, 4.0x
FOV Range (in ZONE3)**	8.1 mm x 6.1 mm (low zoom) to 0.81 mm x 0.61 mm (high zoom)	13.1 mm x 9.8 mm (0.5x lens), to 0.20 mm x 0.15 mm (4.0x lens)
Working Distance	65 mm	Up to 127 mm (0.5x lens)
Illumination	LED numerical aperture matching substage monochromatic profile, LED coaxial TTL surface, 8 sector / 6 ring SmartRing™ LED	
Camera	High resolution, black & white digital metrology camera	
Image Processing	256 level grayscale processing with 10:1 subpixel resolution	
Sensor Options***		Tactile: TP20 or TP200 Touch Probe, SP25 Scanning Probe, Feather Probe™ Non-Contact: Patented† on-axis TeleStar Plus Interferometric TTL laser
Controller	Windows® based, with up-to-date processor and on board networking/communication ports	
Controller Accessory Package		24" flat panel LCD monitor, or dual 24" flat panel LCD monitors, keyboard, 3-button mouse
Software	<ul style="list-style-type: none"> Choice of ZONE3 Express or MeasureMind 3D metrology software QVI Portal 	Metrology software: ZONE3 Prime, ZONE3 Pro Productivity software: MeasureFit® Plus, SmartFit® 3D, SmartProfile®, EVOLVE SPC Offline software: ZONE3, MeasureMind 3D
Power Requirements	100-120 VAC or 200-240 VAC, 50/60 Hz, 1 phase, 600 W	
Compressed Air Requirements	120 liters / min @ 3.0 - 5.0 bar; Air dryer kit	
Operating Environment, Safe Operation	15-30 °C	
Rated Environment	Temperature 18-22 °C, stable to ±1 °C; max rate of change 1 °C / hour; max vertical gradient of 1 °C / meter; 30-80% humidity; vibration <0.001g below 15 Hz	
XYZ Volumetric Accuracy	$E_3 = (3.0 + 5L/1000) \mu\text{m}$	
XY Area Accuracy	$E_2 = (1.5 + 5L/1000) \mu\text{m}$	
Z Linear Accuracy	$E_1 = (2.5 + 5L/1000) \mu\text{m}$	$E_1 = (2.0 + 5L/1000) \mu\text{m}$ (requires optional TeleStar Plus TTL laser, or touch probe)

†Patent Number 7,791,731

Accuracy is evaluated with a QVI verification procedure where "L" is measured length in millimeters. Specifications apply within the rated environment. Accuracy specifications are verified with the imaging sensor unless otherwise specified. Standard optical specifications apply at the maximum optical magnification of the standard configuration. XY Accuracy applies with an evenly distributed load up to 5 kg in the standard measuring plane. The standard measuring plane is defined as a plane that is within 25 mm of the worktable surface. Depending on load distribution, accuracy at maximum payload may be less than standard. On-site verification of volumetric accuracy is optional.

*Lenses and lens attachments can be manually interchanged to change magnification and working distance. **FOV sizes are 20% smaller in MeasureMind 3D. ***SP25 only supported in ZONE3.



Confidence. When Results Matter.™

World Headquarters: Rochester, NY, USA • 585.544.0400 • www.ogpnet.com

OGP Shanghai Co, Ltd: Shanghai, China

86.21.5045.8383/8989 • www.smartscope.com.cn

OGP Messtechnik GmbH: Hofheim-Wallau, Germany

49.6122.9968.0 • www.ogpmesstechnik.de

Optical Gaging (S) Pte Ltd: Singapore • 65.6741.8880 • www.smartscope.com.sg

© 2020 Quality Vision International Inc. Specifications subject to change without notice. All rights reserved. Trademarks are the properties of their respective owners.

Export of this product is controlled under U.S. Export Regulations. An Export License may be required for deliveries or re-export outside the United States. Part Number 790844-0720