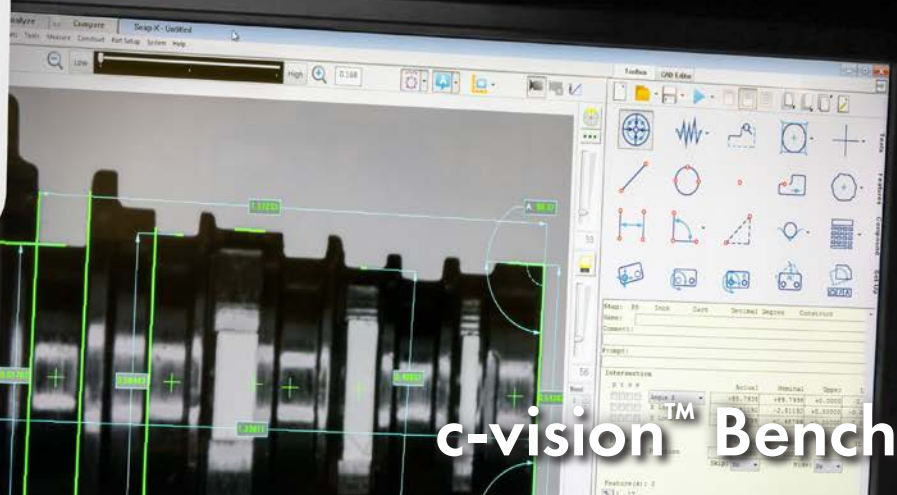




c-vision

c-vision Video Contour Projector®



c-vision™ Benchtop

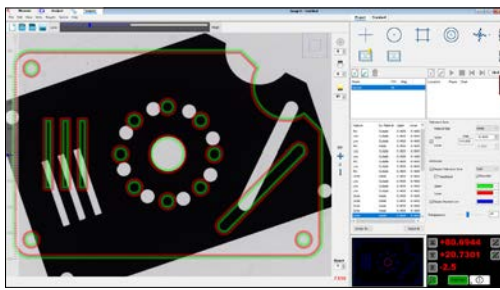
c-vision Benchtop, the ultimate shop floor video contour projector, has the largest measuring range in its class. c-vision Benchtop offers:

- **Accurate Image/Low Distortion** – Provided by the telecentric, wide field dual magnification optical system with advanced digital imaging technology. The AccuCentric® assembly automatically compensates when switching between magnifications.
- **Rugged Design** – The motorized XY table motion is driven by precision linear scales and fine adjusters. All LED illumination provides ultra-bright, long life. The helix stage is perfect for checking threads, and optional swing-away lamphouse provides agility in loading larger parts.
- **SNAP-X™: Powerful Software** – Display standard and custom overlay charts in Compare mode; Launch Measure mode for fully automatic video measurement; perform GD&T fitting in Analyze mode.

Easy to Use, Dual-Magnification Benchtop Video Contour Projector

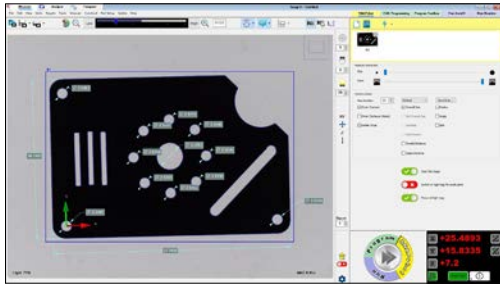


Rugged horizontal optical comparator, compact footprint that uses very little floor space. Shown with optional LED ring light.



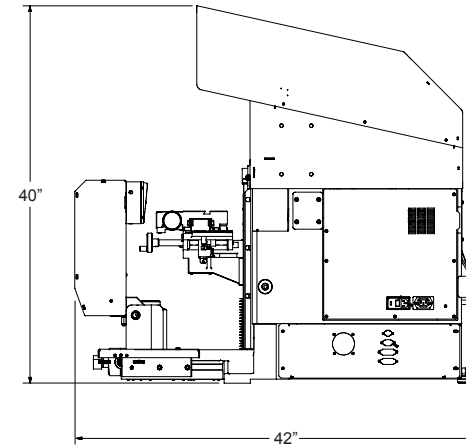
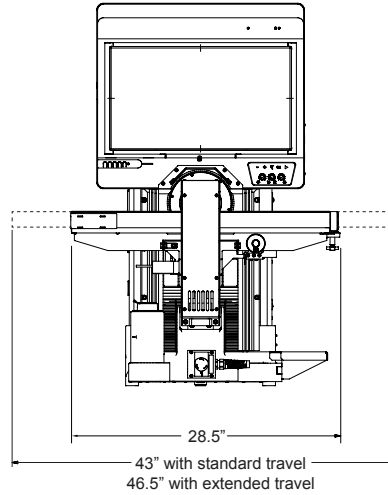
SNAP-X Compare Software

SNAP-X Compare software provides a range of standard comparator charts for virtual gaging such as centerline and radius, as well as custom charts based on the part CAD design.



SNAP-X Measure Software

SNAP-X Measure software provides fully automatic video measurement. SNAP-X SnapShot™ features instant measurement without programming.



System Weight: 600 lb
Shipping Weight: 720 lb

	Standard	Optional
XYZ Travel	15" x 6" x 2"	18" x 6" x 2"
XY Scale Resolution	0.00004"	0.00002"
Drive System	Motorized with variable speed joystick control and manual fine adjustment	
Worktable	Hard coat anodized aluminum worktable, 20" x 5", with dovetail fixturing slot with 65 lb load capacity	
Helix Angle Range	± 7.5° with pivoting worktable assembly and zero stop	
Throat Clearance	10"	
Optics	Dual magnification with six field of view sizes, fully telecentric, long depth of field, upright and fully corrected image	
Illumination	Green LED profile light with continuously variable intensity	Green LED oblique (dark field) ring illuminator with eight selectable patterns. Green LED through-the-lens surface light with continuously variable intensity control.
Magnification Lenses	Low Magnification Lens 3" Field of View (FOV) 0.75" Depth of Field (DOF) 4" Working Distance (WD)	4x High Magnification Lens 0.75" Field of View (FOV) 0.2" Depth of Field (DOF) 4" Working Distance (WD)
Metrology Camera	High density megapixel metrology camera	
Software	SNAP-X Measure and Compare	SNAP-X Analyze, SNAP-X Offline, OGP® EVOLVE® SPC
System Controller	Standard system controller with networking and communication ports	
Accessories		Motorized rotary indexer; Calibration reticles; Swing away lamphouse; Ergonomic, motorized adjustable height stand; Steel weldment stand; Rotary vise; Staging centers and V-blocks
Power Requirements	100-120 VAC or 200-240 VAC, 50/60 Hz, 1 phase, 600W	
Safe Operating Environment	59°-86° F, non-condensing	
Rated Environment	Temperature 64°-72 °F, stable at ± 2 °F/hour, max vertical gradient of 1.5 °F/yard; 30%-80% humidity; vibration <0.001g below 15 Hz	
Stage Accuracy (E ₂)	(300 + 10L) μinch	
Field of View Accuracy (E ₂)	Low Mag: 0.0003" High Mag 4x: 0.00016"	

Accuracy is evaluated with a QVI verification procedure where "L" is measured length in inches. Specifications apply within the rated environment. Standard optical specifications apply at the maximum optical magnification of the standard configuration. XY Accuracy applies with an evenly distributed load up to 11 lb in the standard measuring plane. The standard measuring plane is defined as perpendicular to the optical axis within 0.02 inch, and within 0.20 inch of best focus. Depending on load distribution, accuracy at maximum payload may be less than standard.



World Headquarters: Rochester, NY, USA • 585.544.0400 • www.ogpnet.com

OGP Shanghai Co, Ltd: Shanghai, China
86.21.5045.8383/8989 • www.smartscope.com.cn

OGP Messtechnik GmbH: Hofheim-Wallau, Germany
49.6122.9968.0 • www.ogpmesstechnik.de

Optical Gaging (S) Pte Ltd: Singapore • 65.6741.8880 • www.smartscope.com.sg